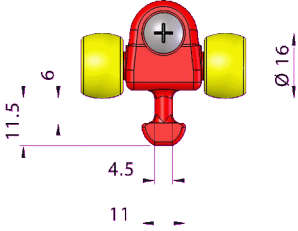
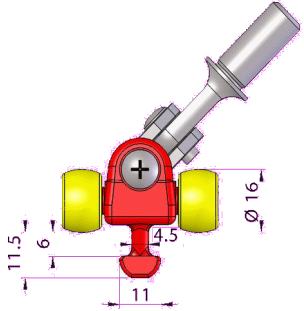
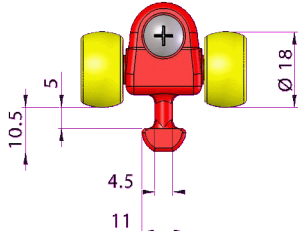
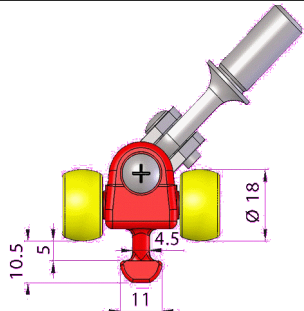
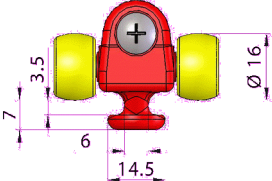
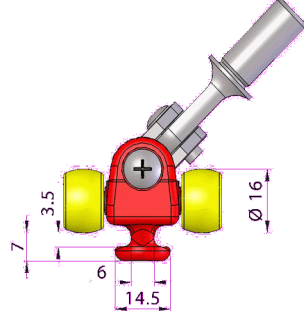
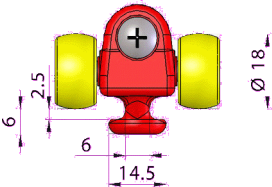
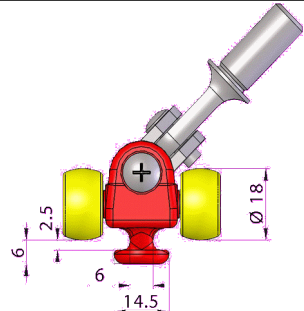
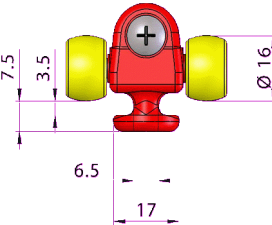
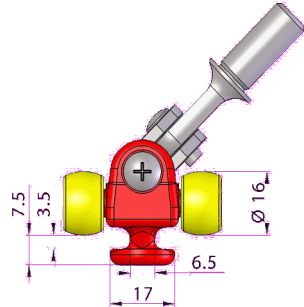
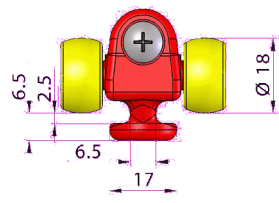
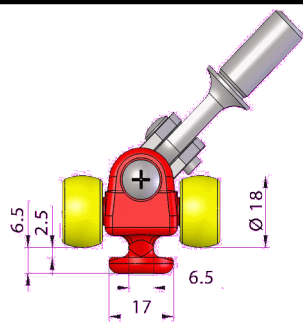
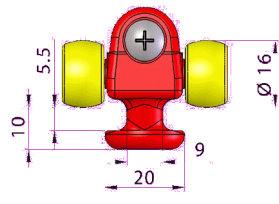
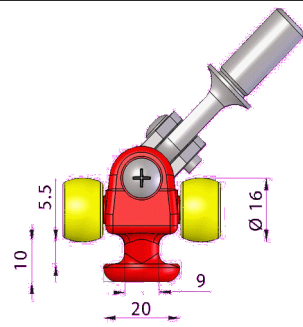
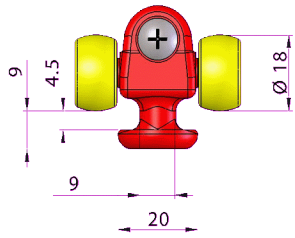
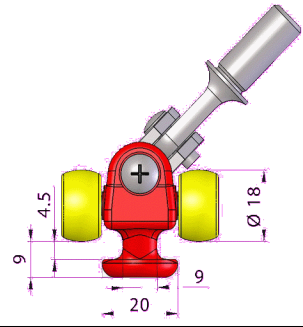
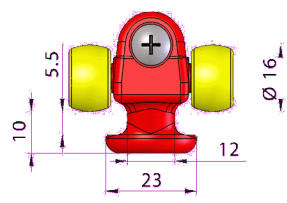
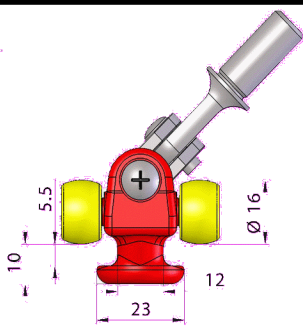
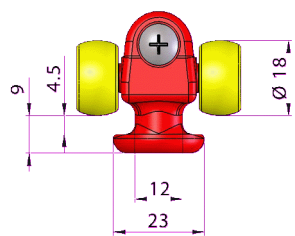
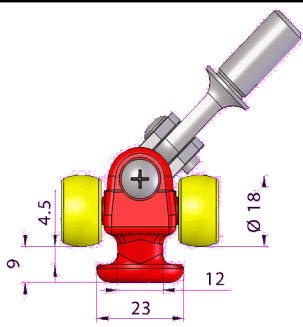
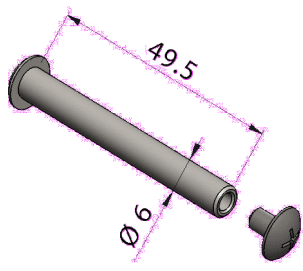
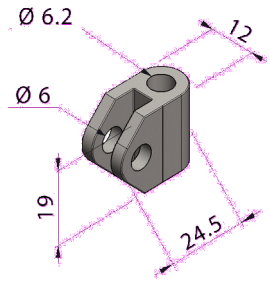
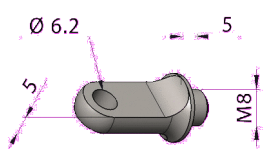
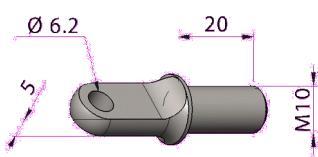


Type	Measurements (mm)	Type	Measurements (mm)
CR 11 W16 Car batten		CR 11 W16 J Car batten with joint	
CR 11 W18 Car batten		CR 11 W18 J Car batten with joint	
C 14 W16 Car batten		C 14 W16 J Car batten with joint	
C 14 W18 Car batten		C 14 W18 J Car batten with joint	
C 17 W16 Car batten		C 17 W16 J Car batten with joint	

ALL BLACK *the last generation batten cars & tensioners*

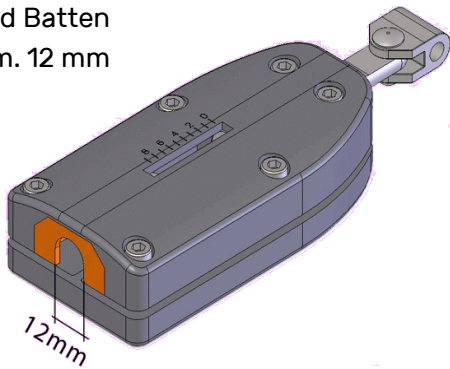
Type	Measurements (mm)	Type	Measurements (mm)
C 17 W18 Car batten		C 17 W18 J Car batten with joint	
C 20 W16 Car batten		C 20 W16 J Car batten with joint	
C 20 W18 Car batten		C 20 W18 J Car batten with joint	
C 23 W16 Car batten		C 23 W16 J Car batten with joint	
C 23 W18 Car batten		C 23 W18 J Car batten with joint	

ACCESSORIES

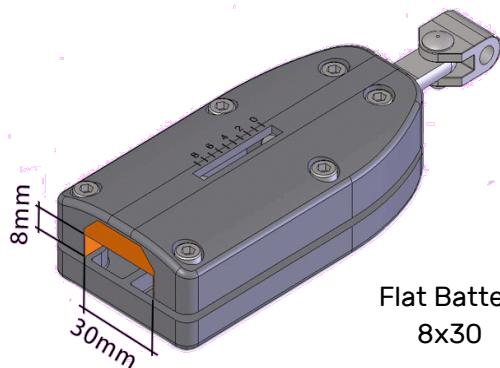
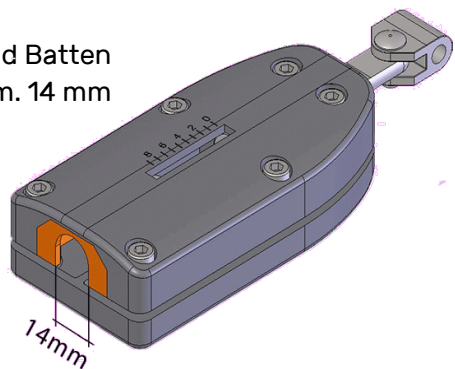
Type	Measurements (mm)	Type	Measurements (mm)
SCREW		JOINT	
PIN 8X5		PIN 10X20	

TENSIONER

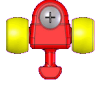
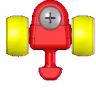

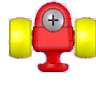


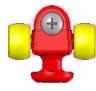
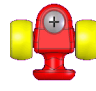

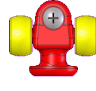
Round Batten
Diam. 12 mm



Round Batten
Diam. 14 mm



Flat Batten
8x30

Type	Fits mast section (only geometric fit)							Others	BREAKING LOAD
	Selden			John Mast	Soromap	Sparcraft	Z-spars		
	E-section	D-section	C-section						
CR 11 W16 	138/95 155/104 170/115 177/124 189/132 206/139 224/150 237/162 274/185 147/95 162/104 178/115 216/139	129/100 137/113 146/112 160/132	C080 C086 C096	135D 148D 150D 165D 167D 185D 186D 208D 222D 245D 280D 305D 335D	NF200 NF270 NF350 NF430 NF540 NF710 NF1410	S135 S195 S305 S385 S460 S622 S830 I830	Z301 Z351 Z380 Z401 Z501 Z531 Z601 Z602 Z701 Z702	OVER 8780 KP	
CR 11 W18 			C106 C116 C126 C139	150E 116E 125E	NF200 NF270 NF350 NF430 NF540	S50 S67 S78 S80 S101 S137 S180 S260 S330 IMS80 IMS256	Z170 Z190 Z230 Z265	OVER 8780 KP	
C 14 W16 								SLIDERS: Bainbridge A007 Holt Allen 89	OVER 8780 KP
C 14 W18 								SLIDERS: Bainbridge A007 Holt Allen 89	OVER 8780 KP
C 17 W16 								SLIDERS: Bainbridge A008 Holt Allen 90	OVER 8780 KP
C 17 W18 								Briand/Pettersson: 180x130mm MKII (Maxi 95) Briand/Pettersson:1 25x100mm (Maxi77) SLIDERS: Bainbridge A008 Holt Allen 90	OVER 8780 KP
C 20 W16 				220E 262E 290E		NG60 NG70 NG80 NG86 F580 F740 F1060 F1395 S1630 S2100 F2390 F3360	Z902 Z1001 Z1250 Z1400	Briand/Pettersson: 160x120mm (Maxi 87) Isomat: NG 70 SLIDERS: Bainbridge A009 Holt Allen 91	OVER 8780 KP
C 20 W18 			C156 C175 C193 C211 C227 C245 C264 C285 C304					SLIDERS: Bainbridge A009 Holt Allen 91	OVER 8780 KP
C 23 W16 						S830 S1060 S1395 S2100	S3360 S4600		OVER 8780 KP
C 23 W18 			C321/171 C366/194			S1170 S1630 S3360 S7800			OVER 8780 KP